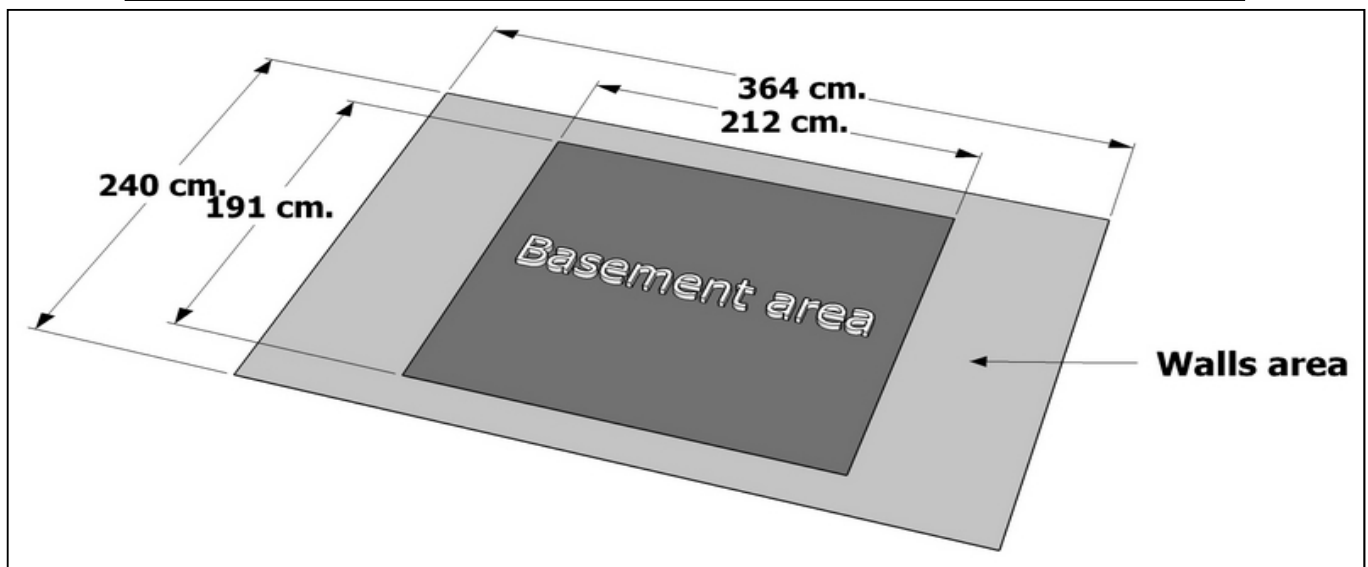
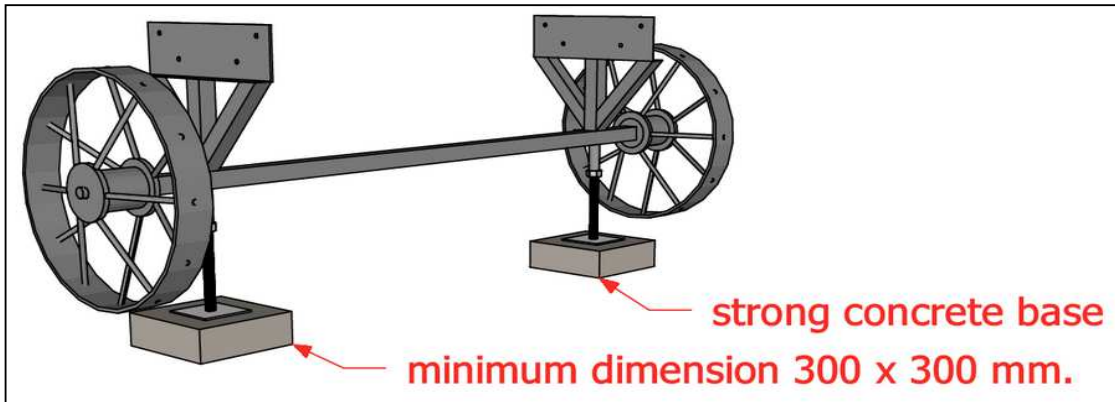


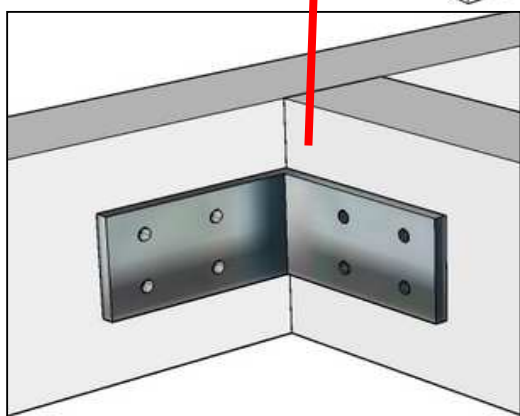
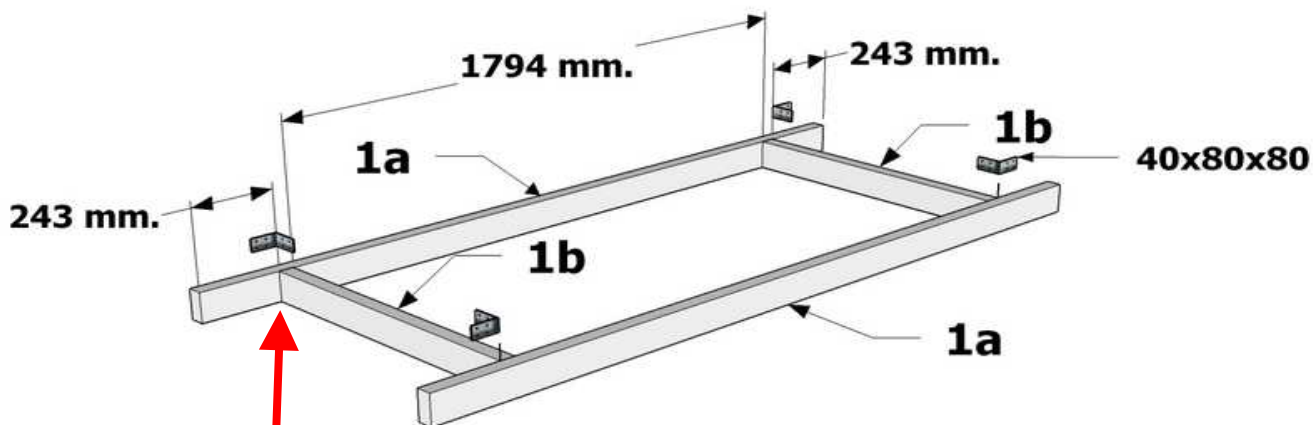
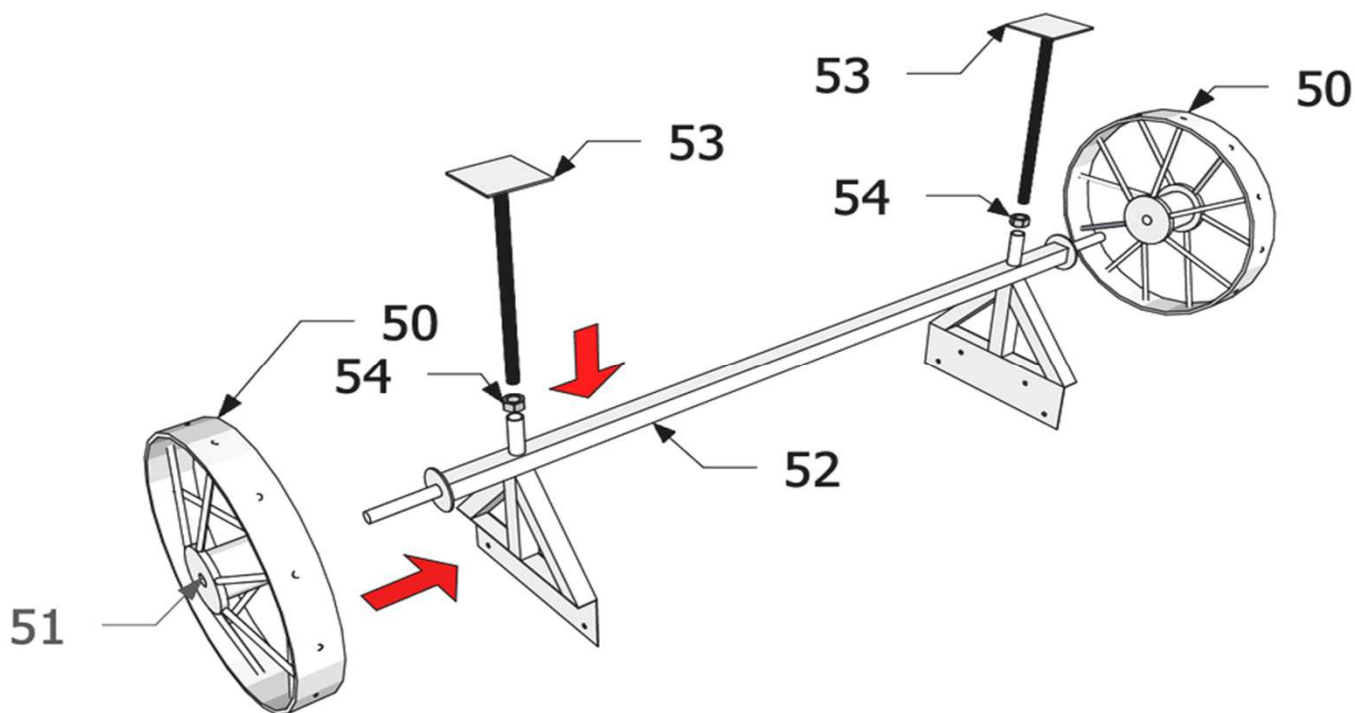
Wagon 2,4 x 3,6 m. Assembly instruction

This wagon must be based on adjustable legs and is not moveable.



Wagon 2,4 x 3,6 m. Assembly instruction

1/12

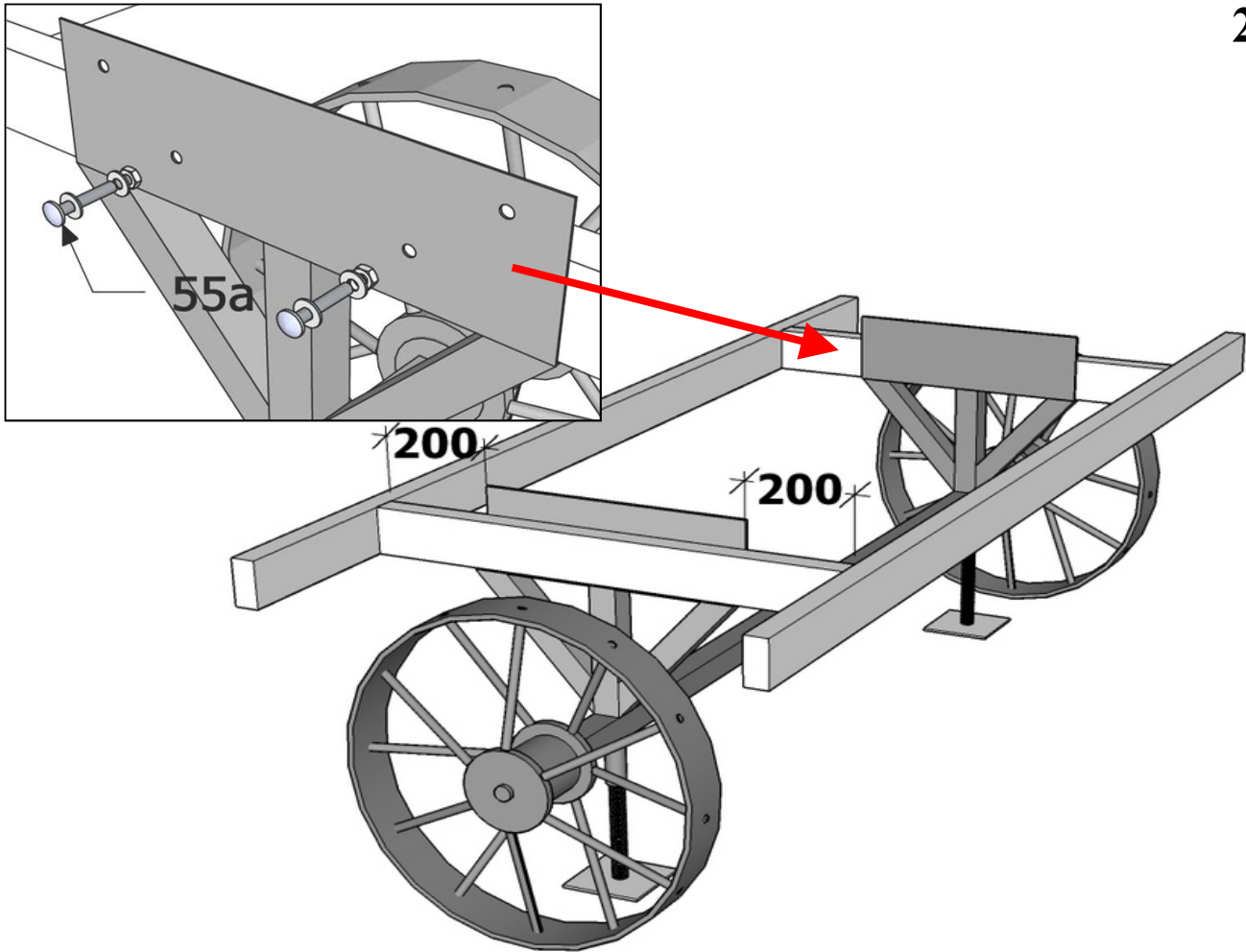


1a + **1b**

4,5 x 80	16
3,5 x 40	64
40 x 80 x 80	8

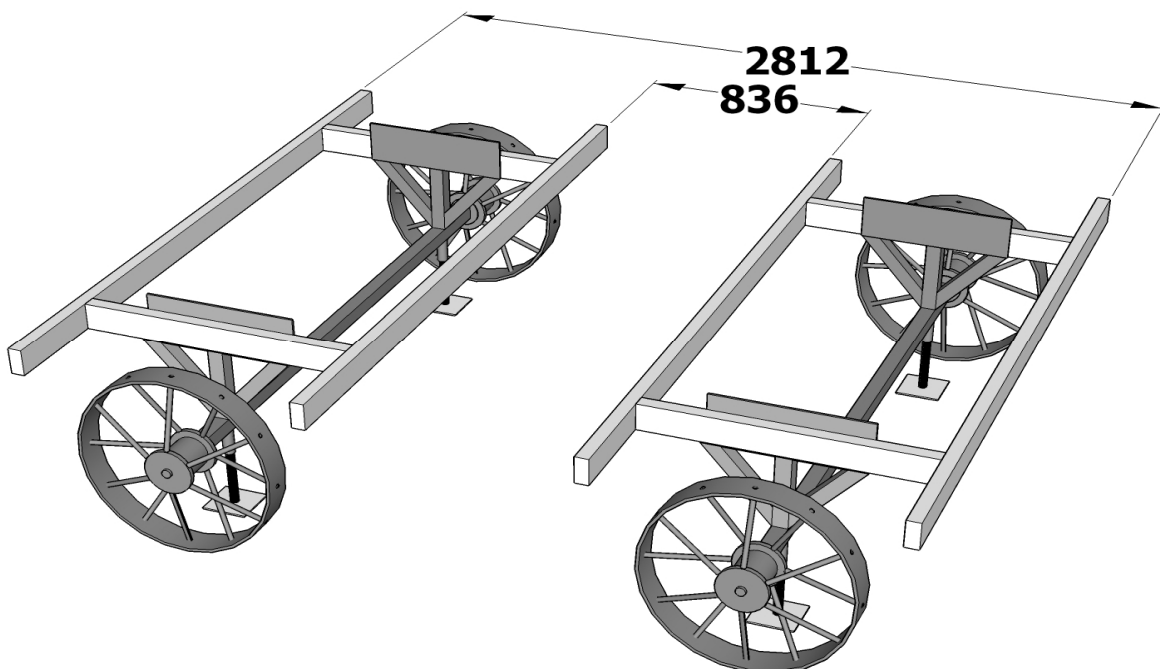
Wagon 2,4 x 3,6 m. Assembly instruction

2/12

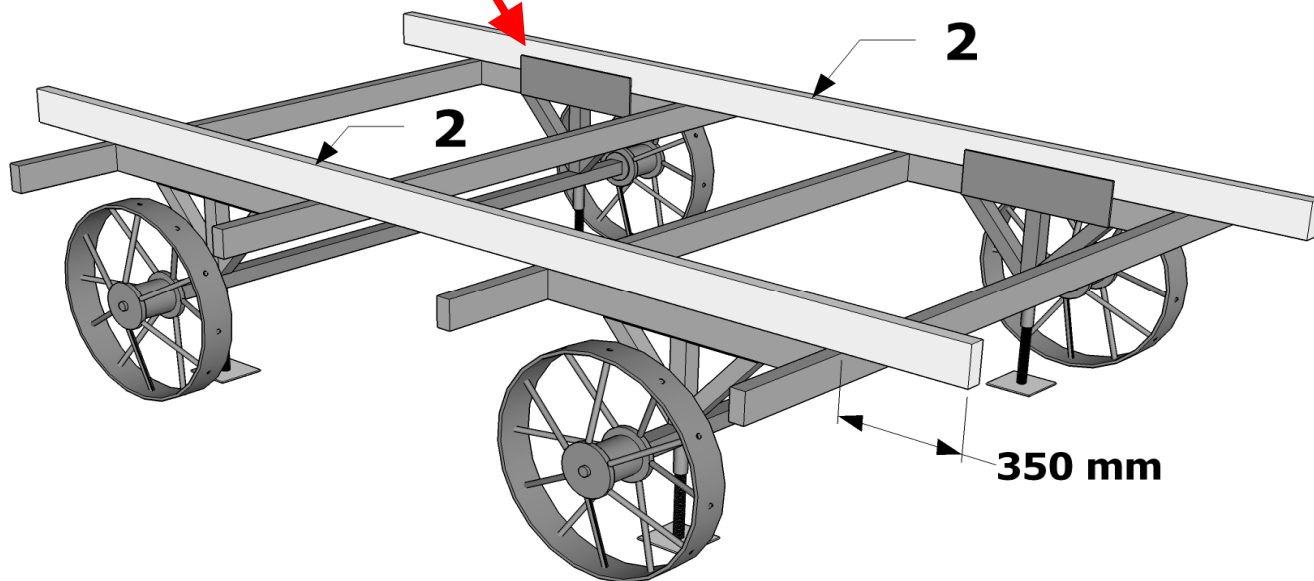
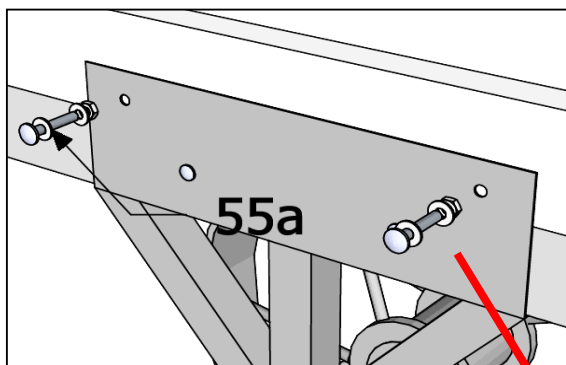


base + **1a+1b**

bolt M10x70	8
washer M10	16
nut M10	8

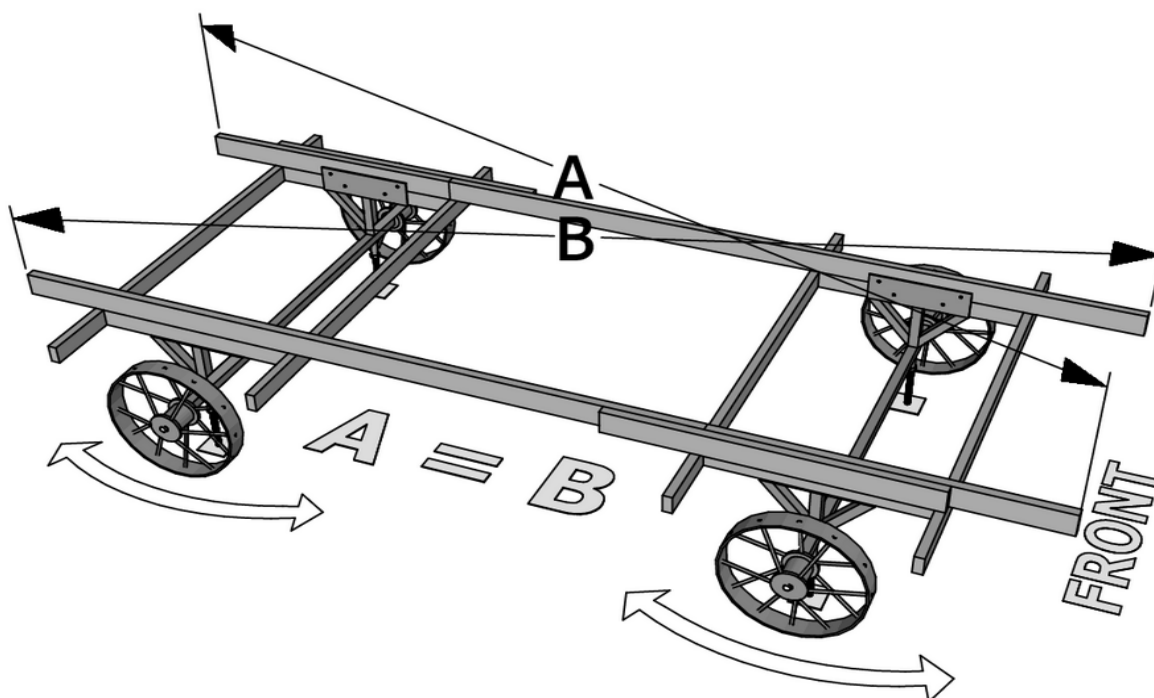


Wagon 2,4 x 3,6 m. Assembly instruction



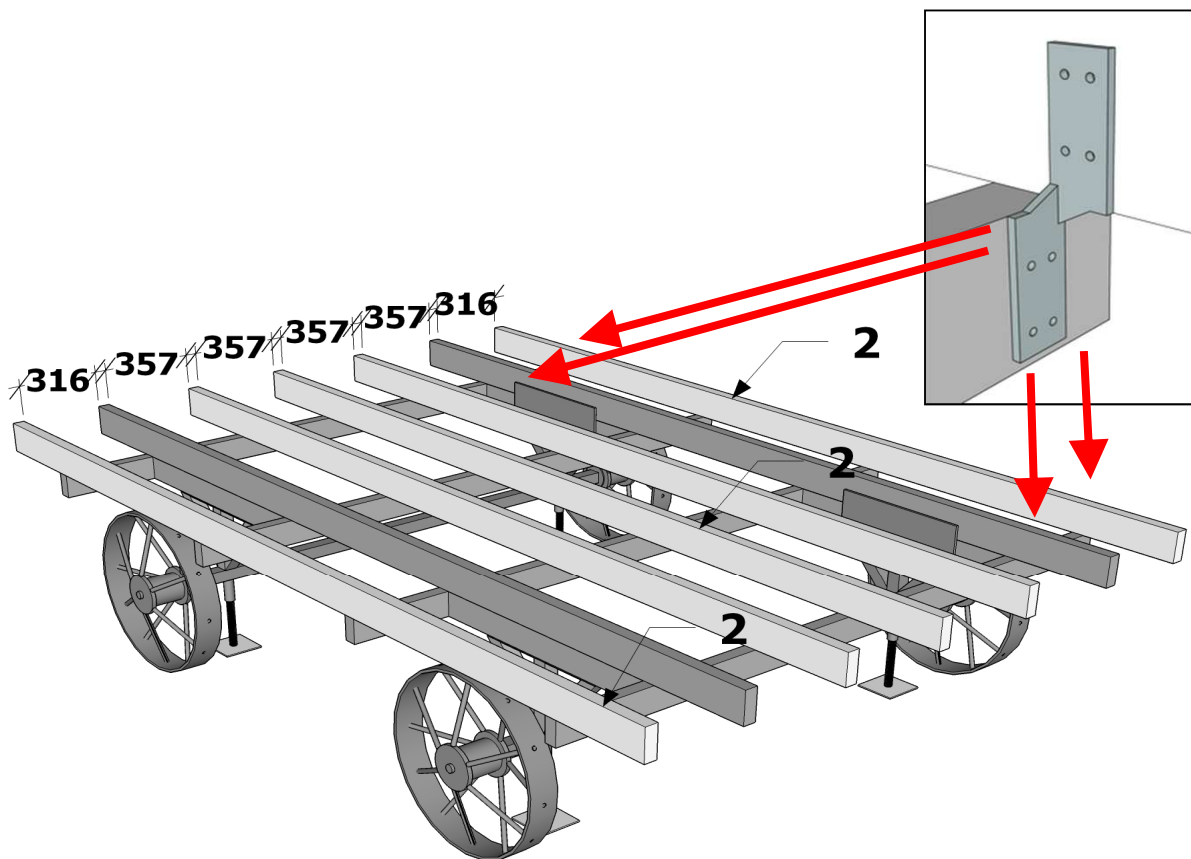
2 + **1a+1b** + **base**

bolt M10x70	8
washer M10	16
nut M10	8



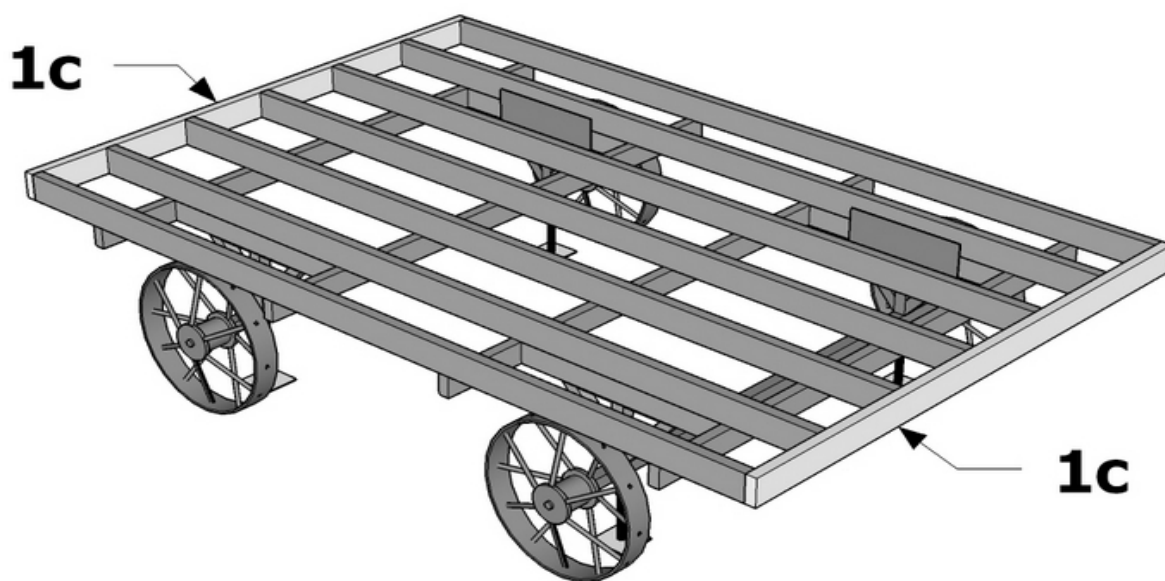
Wagon 2,4 x 3,6 m. Assembly instruction

4/12



2 + **1a + 1b**

4,5 x 80	10
3,5 x 40	112
support plate	14

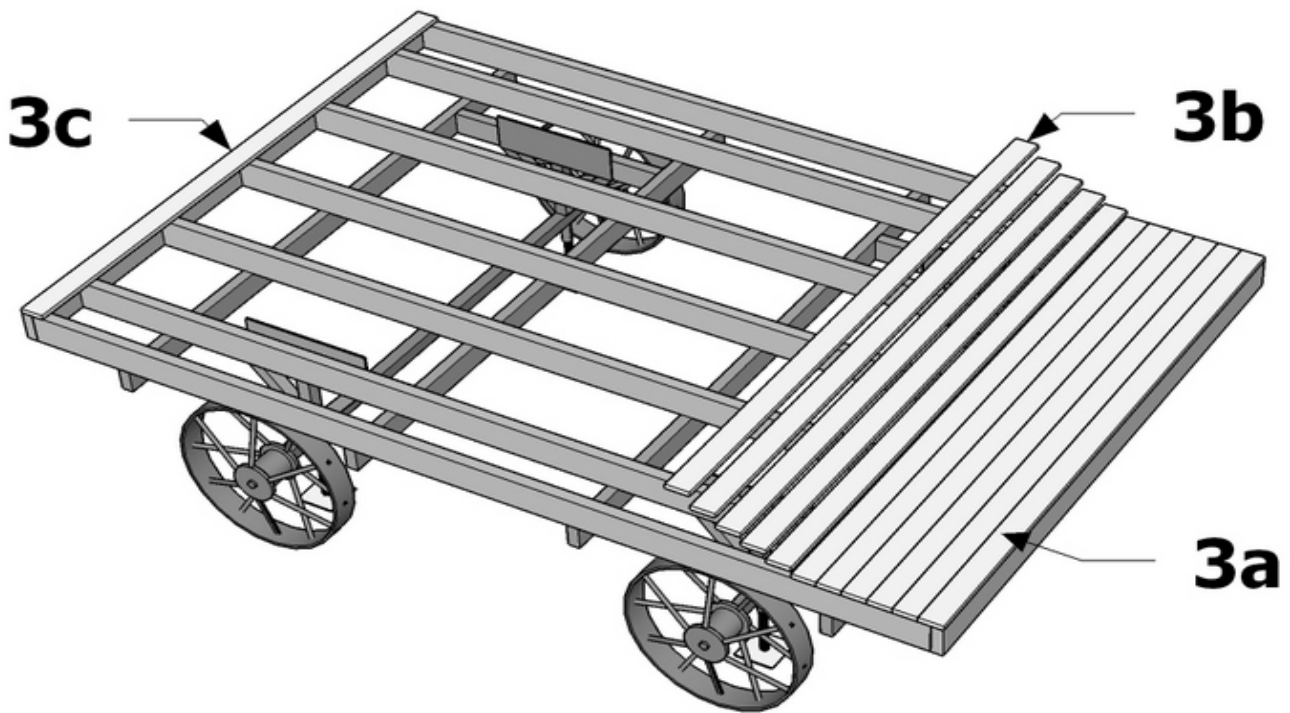
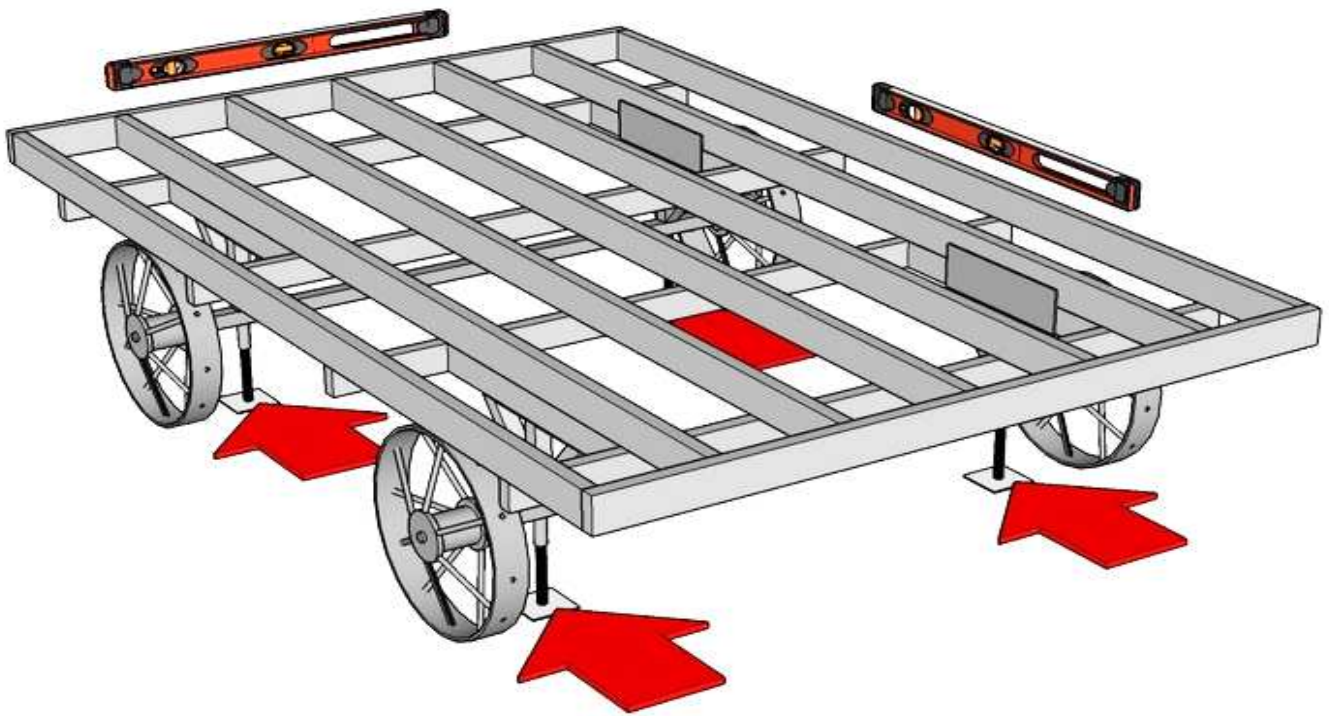


+ **1a**

4,5 x 80	28
----------	----

Wagon 2,4 x 3,6 m. Assembly instruction

5/12

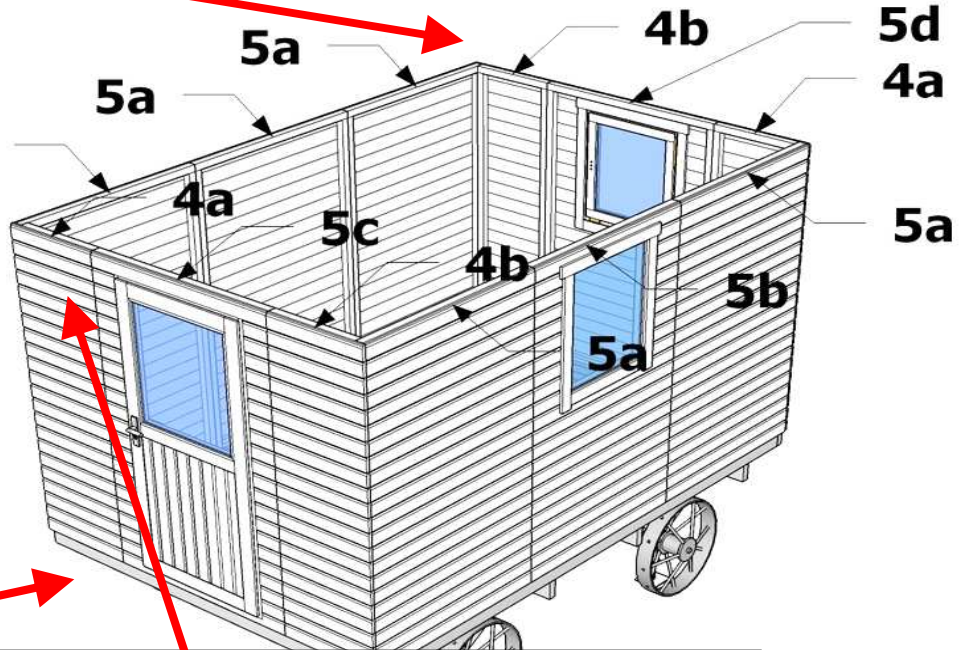
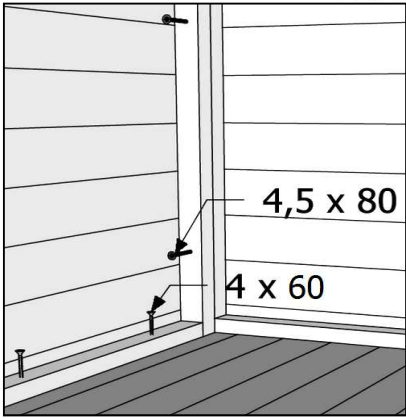
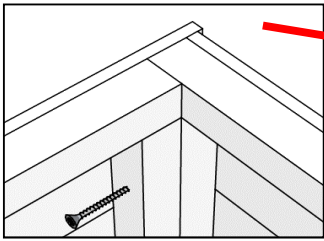


3a + **3b** + **3c**

nail 2 x 50	273
-------------	-----

Wagon 2,4 x 3,6 m. Assembly instruction

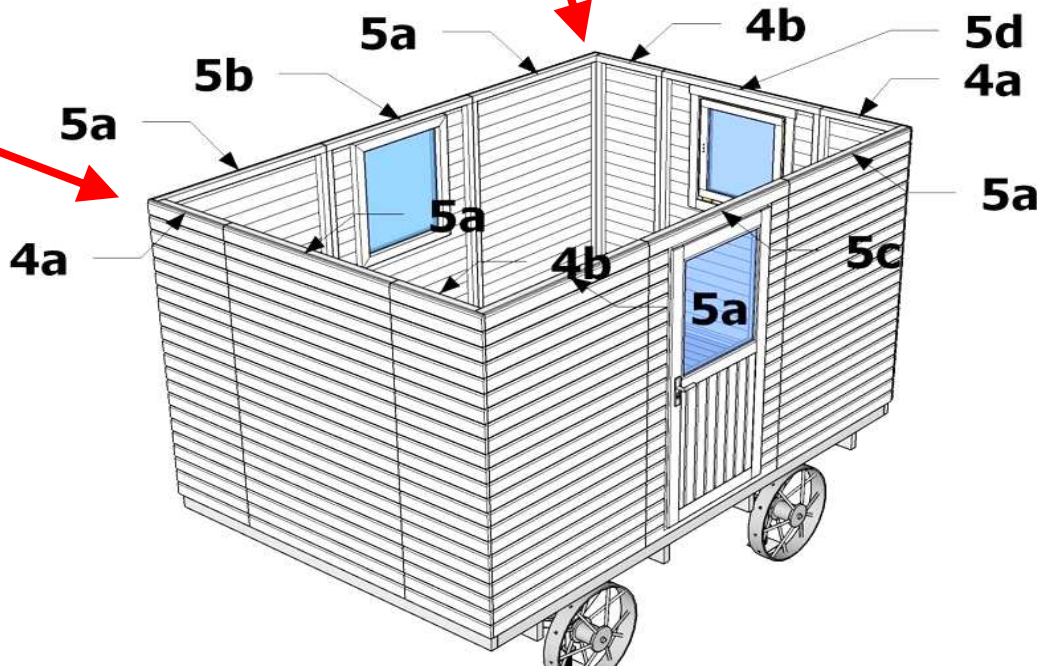
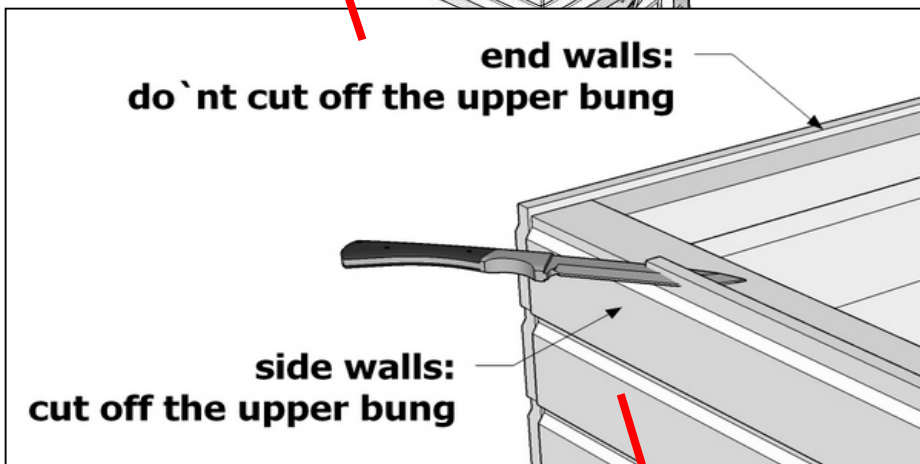
6/12



You can
compile walls
of the wagon
so ...

NB!

... or so



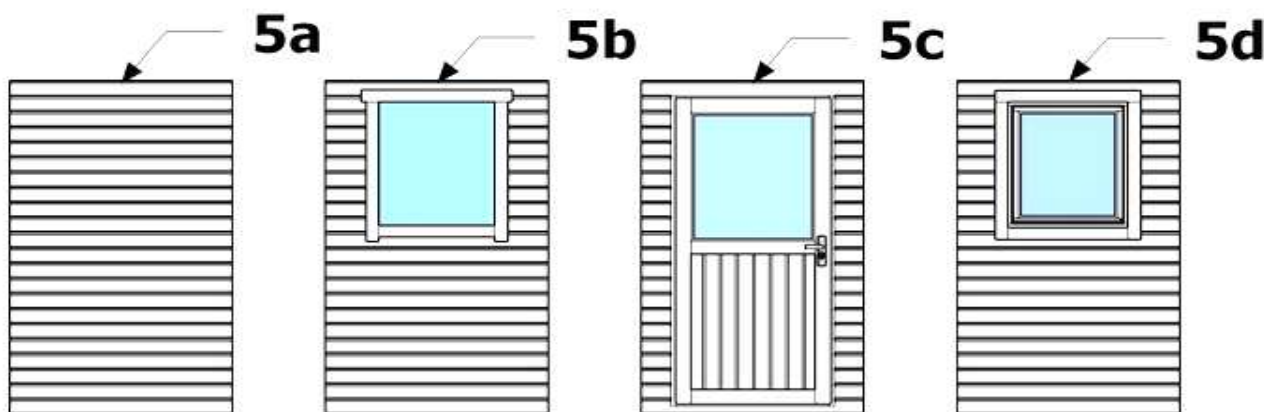
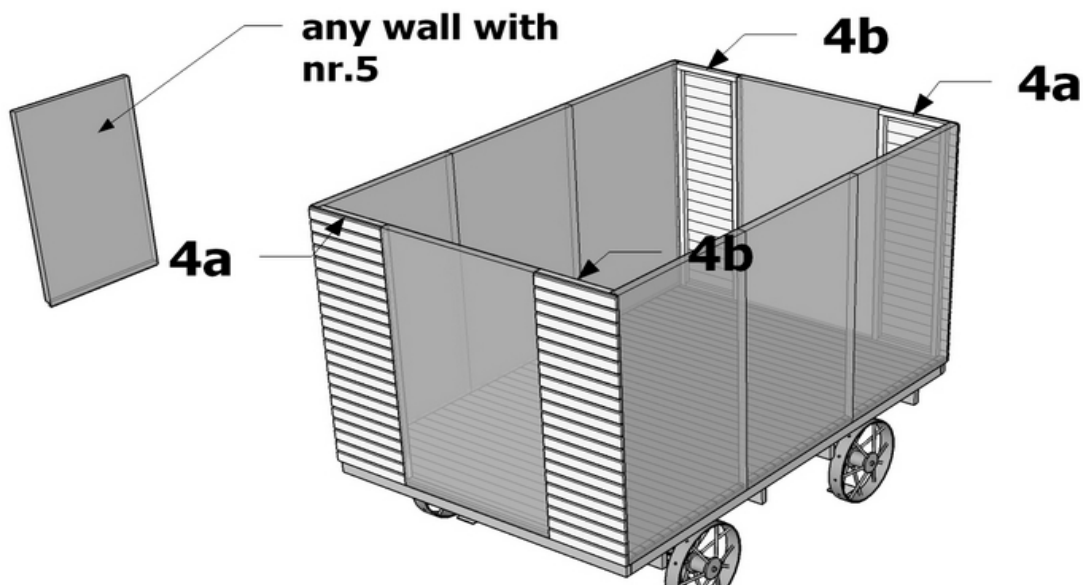
**NB ! Please, read explanations
at next page!**



Wagon 2,4 x 3,6 m.

Assembly instruction

7/12



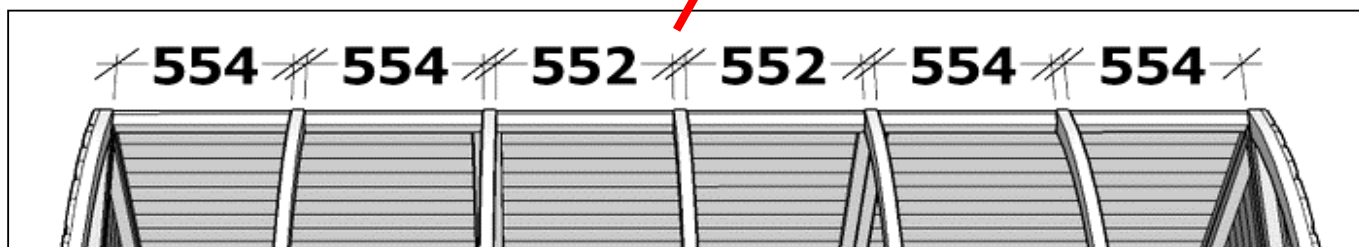
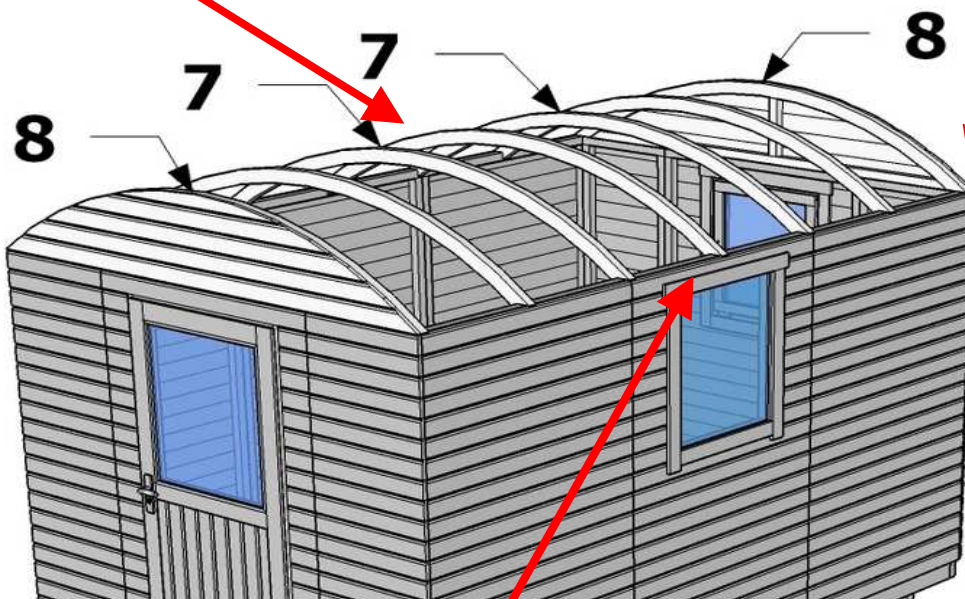
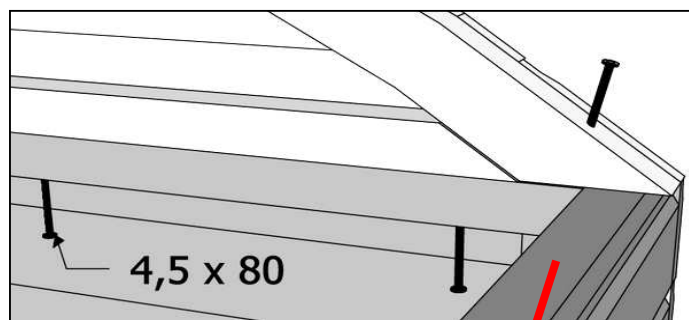
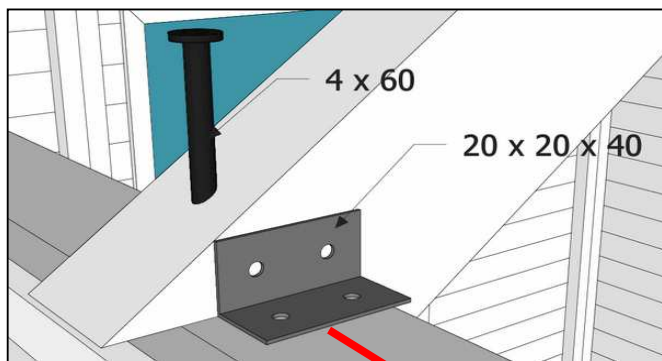
You can place the walls nr. 5 anywhere You like, excl. walls nr. 4a and 4b

4a	+	5...	+	4b	+	5...	4,5 x 80	48
5...	+	5...	+	4a	+	5...		
4b	+	5...	+	5...	+	5...		
4a	5...	4b	5...	5...	5...	4a	4 x 60	24
5...	4b	5...	5...	5...	+	base		

All following instructions be in effect regardless of the position walls No. 5

Wagon 2,4 x 3,6 m. Assembly instruction

8/12



+ **7**

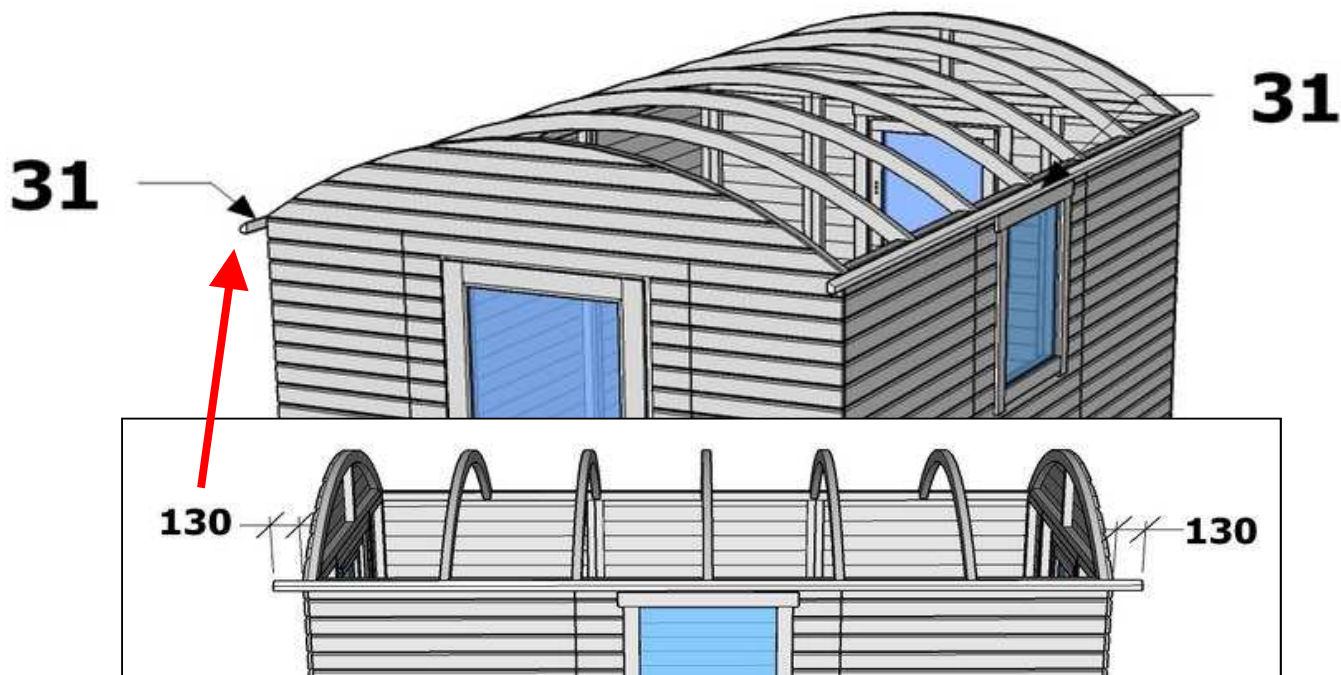
4 x 60	10
20x20x40	10
3,5 x 40	40

+ **8**

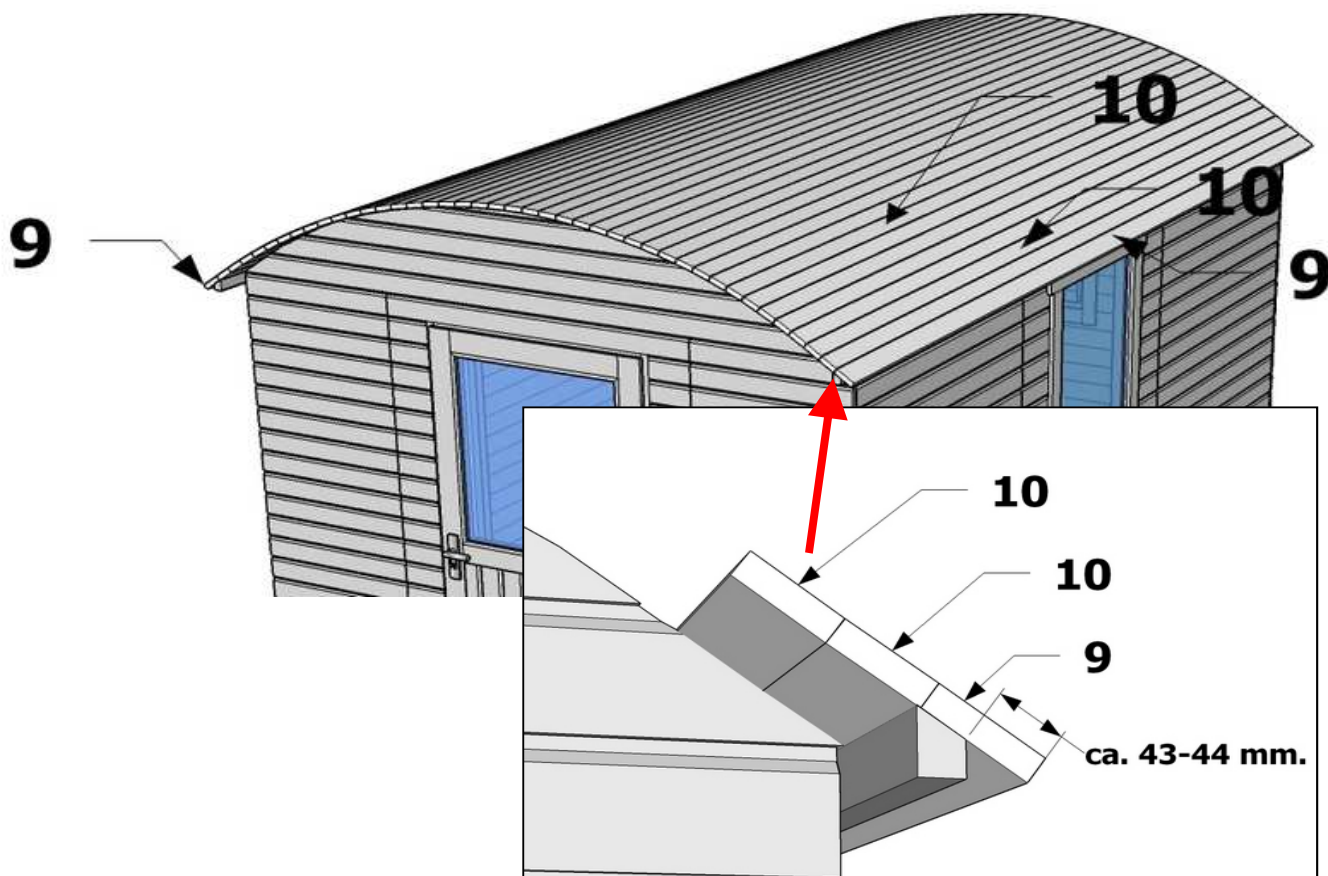
4,5 x 80	16
----------	----

Wagon 2,4 x 3,6 m. Assembly instruction

9/12

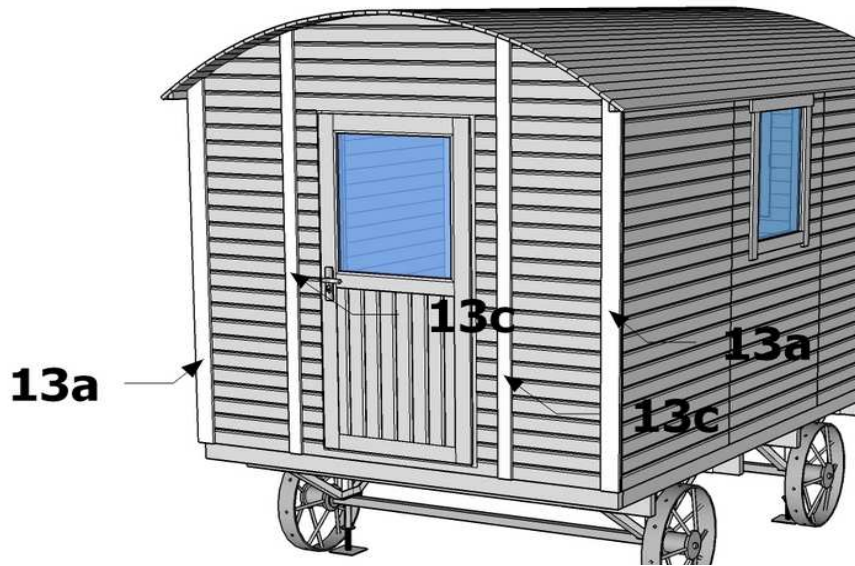


+	31	4,5 x 80	12
---	-----------	----------	----



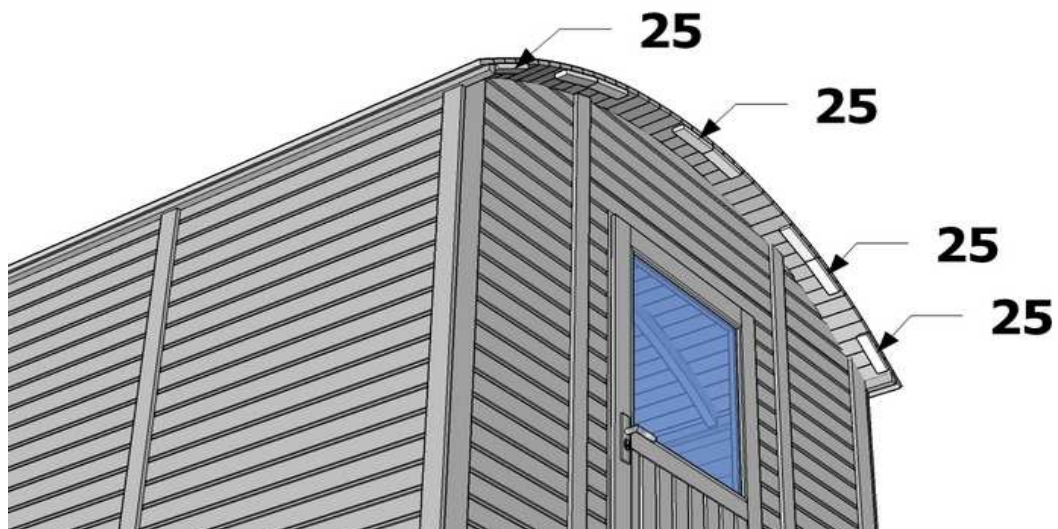
+	9	+	10	+	9	3,5 x 40	24
		+	10			nail 2 x 50	200

Wagon 2,4 x 3,6 m. Assembly instruction



13a	+	13b	+	13c	3,5 x 40	64
------------	---	------------	---	------------	-----------------	-----------

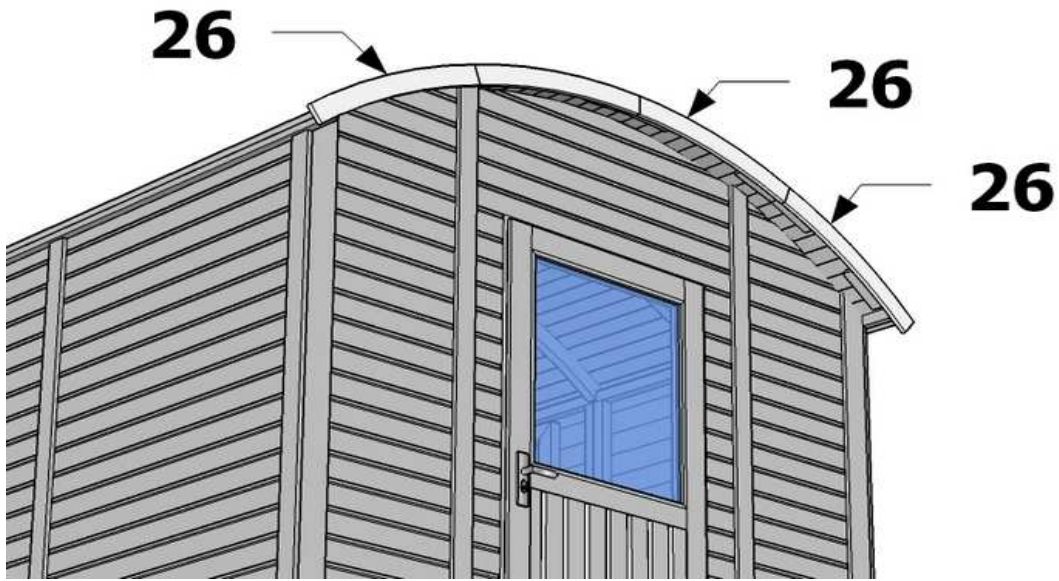
Before this we recommend to install the roofing



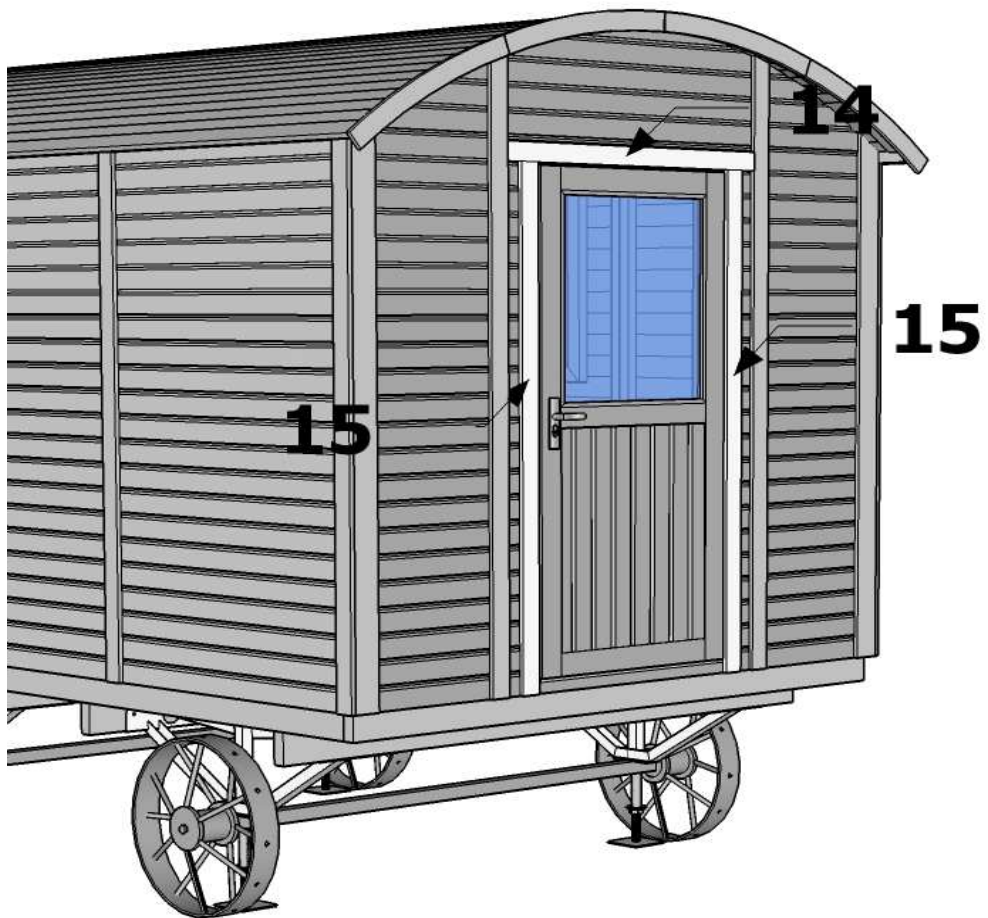
+	25	3,5 x 35	32
---	-----------	-----------------	-----------

Wagon 2,4 x 3,6 m.
Assembly instruction

11/12



+	26	3,5 x 40	16
---	-----------	-----------------	-----------

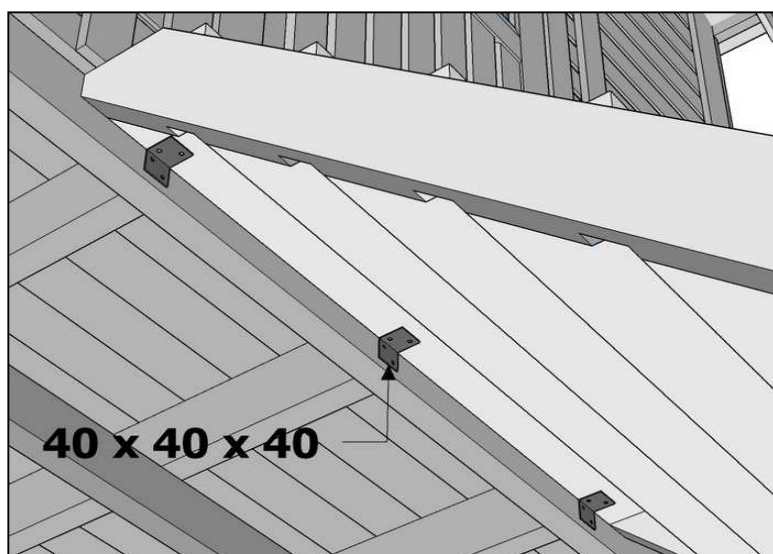
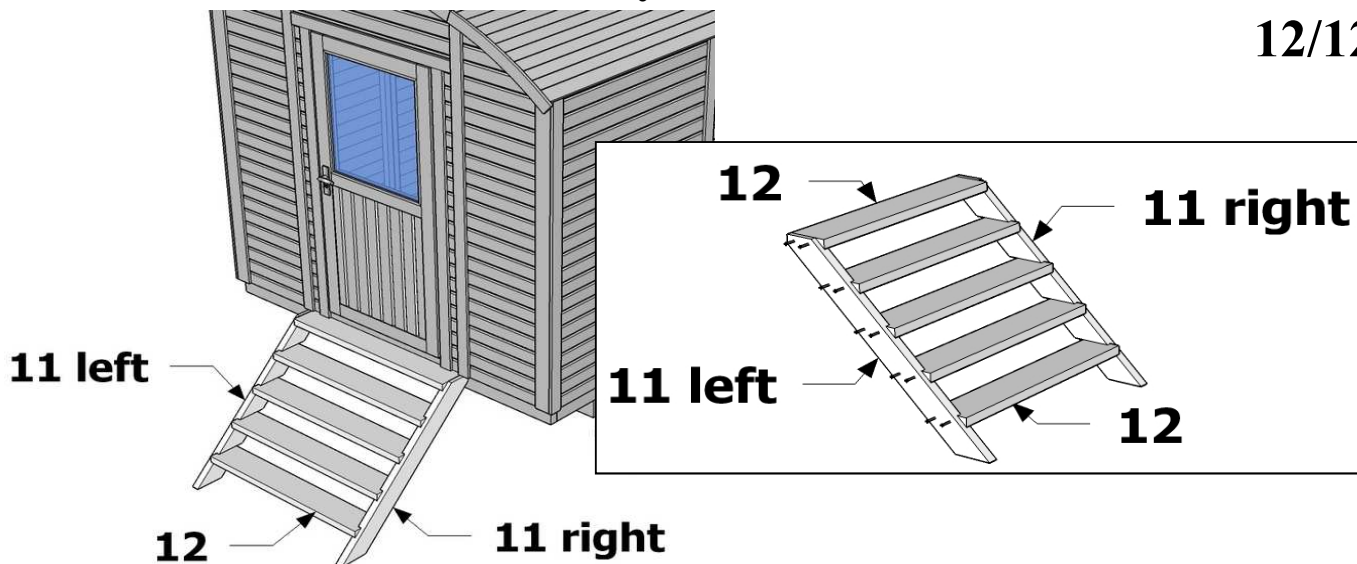


+	15	+	14	3,5 x 40	12
---	-----------	---	-----------	-----------------	-----------

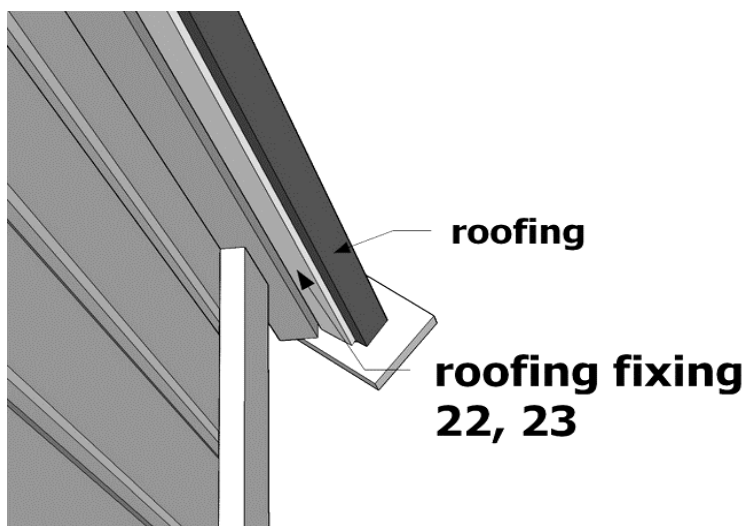
Wagon 2,4 x 3,6 m.

Assembly instruction

12/12



11	+	12	4,5 x 80	20
11+12	+	base	40x40x40	3
			3,5 x 40	18



+	22	+	23	3,5 x 20	30
---	-----------	---	-----------	-----------------	-----------

	Packing list	Page
PRODUCT:	Wagon 2,4 x 3,6	1/1
WIN-code:		
Article:		

element nr.	element's name	quantity	dimension (mm.)	specify
1a	bottom beam	4	44 x 94 x 2368	
1b	bottom beam	4	44 x 94 x 900	
1c	bottom beam	2	44 x 120 x 2368	
2	bottom beam	7	44 x 120 x 3512	
3a	floorboard	1	19 x 90 x 2368	first
3b	floorboard	38	19 x 90 x 2368	
3c	floorboard	1	19 x 90 x 2368	last
4a	end wall, right	2	600 x 1980	
4b	end wall, left	2	600 x 1980	
5a	wall	5	1200 x 1980	
5b	wall with non-open window	1	1200 x 1980	
5c	wall with installed door	1	1200 x 1980	
5d	wall with opening window	1	1200 x 1980	
7	inner roof arch	5	455 x 2406	
8	outer arch, covered	2	2406 x 416	with paneling
9	roof board	1+1	19 x 75 x 3898	first/last
10	roof board	40	19 x 65 x 3898	
11	stairs side	1+1	44 x 120 x 1205	45° //
12	stairs tread	5	44 x 170 x 1152	
13a	back wall edge cover slat	4	16 x 94 x 2050	end 37°
13b	side walls edge cover slat	8	16 x 70 x 1936	
13c	back wall middle cover slat	4	16 x 70 x 2314	end 15°
14	doorway's upper slat	1	16 x 70 x 1130	
15	doorway's slat	2	16 x 70 x 1885	
22	veneer in edge of the roof	2	4 x 30 x 2440	on the side
23	veneer in edge of the roof	4	4 x 30 x 900	on the side/cut
25	roof edge arc fixing brick	16	19 x 40 x 180	
26	roof edge arc	8	L = 710 mm.	arc-element
31	the upper feather key	2	28 x 44 x 3898	edge 37°

Metal parts:

50	wagon wheel	4
51	wagon wheels washer	4
51a	wheel's splint	4
52	wagon axle	2
53	adjustable support leg	4
54	adjustable leg's nut M27	4
55a	bolt M10, L = 70 mm.	16
56	nut M10	16
57	washer M10	32
	fasteners set	
	assembly instruction	